



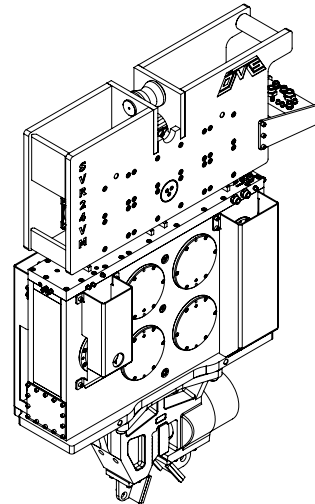
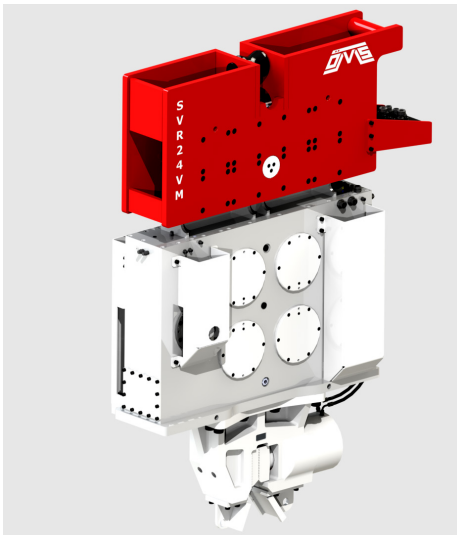
## Pile Driving Equipment

[www.omsvibro.com](http://www.omsvibro.com)

SVR SERIES

# SVR 24 VM

## CRANE SUSPENDED VIBRATORY HAMMER



### -- VARIABLE MOMENT --

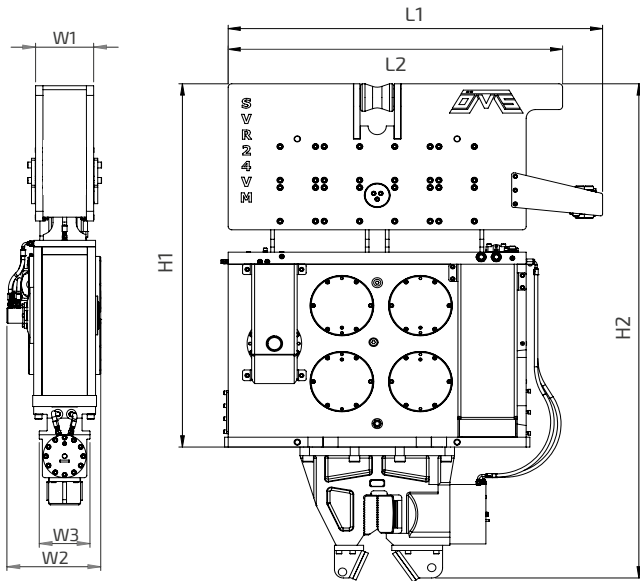
***Amplitude / eccentric moment can be easily adjusted from minimum to maximum with a variable motor (phase shifter).***

The variable moment (phase shifter) of SVR Variable Moment Vibratory Hammers adjusting the position of the eccentric masses according to start and stop of the vibration case (gear box) to not generate resonance. Thus, the vibration case vibrates at maximum frequency and this reduces the disturbance to surrounding soils.

### Advantages

- Environmentally friendly technology,
- Adjustable amplitude,
- Resonance free start - stop,
- Optimum force applying to soil conditions,
- Powerful, reliable and long life.

# SVR 24 VM / Technical Specifications



## Technical Specifications

Unit	Metric	US
Eccentric Moment (kgm) (in.lbs)	0 - 24	0 - 2083
Centrifugal Force (kN) (tons)	1370	154
Frequency (rpm)	2300	2300
Oil Flow (L/min) (gpm)	675	179
Power (kW) (hP)	394	528
Amplitude (mm) (in)	14	0.5
Pulling Force (kN) (tons)	417	47

## Weight and Dimensions

Unit	Metric	US
Dynamic Weight W/O Clamp (kg) (lbs)	3252	7170
Total Weight W/O Clamp (kg) (lbs)	4523	9972
Length / L1 (mm) (in)	2060	81
Length / L2 (mm) (in)	1840	73
Width / W1 (mm) (in)	388	15
Width / W2 (mm) (in)	655	26
Width / W3 (mm) (in)	460	18
Height / H1 (mm) (in)	2108	83
Height / H2 (mm) (in)	2868	113

## Recommended Clamp Type for Sheet Piles

SCN165

Unit	Metric	US
Clamping Force (kN) (tons)	1700	191
Weight (kg) (lbs)	866	1909

## Recommended Clamp Type for Casing

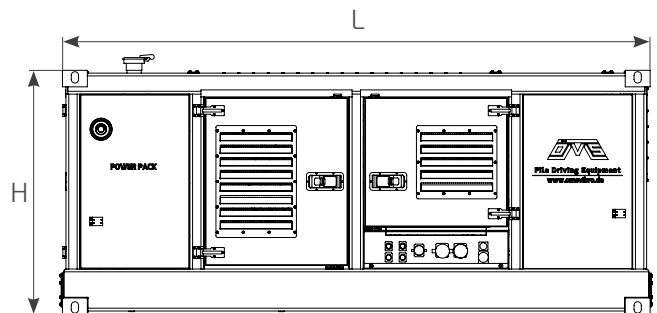
KCN 90 x 2

Unit	Metric	US
Diameter (min. - max.) / D (mm) (in)	460 - 1260	18
Clamping Force (kN) (tons)	890 x 2	200
Weight (kg) (lbs)	538 x 2	2372

## Recommended Power Pack PP - 548C

Unit	Metric	US
Oil Flow Max. (lpm) (gpm)	729	190
Pressure Max. (bar) (psi)	350	5076
Oil Capacity (l) (gal)	1600	423
Diesel Tank Capacity (l) (gal)	1300	344
Width (mm) (in)	1820	72
Length (mm) (in)	4520	178
Height (mm) (in)	2175	86

Stage	Model	Power	Weight	Weight
EU 5	CAT C15 ACERT	403/548 (kW/hP)	7900 (kg)	17416 (lbs)



OMS Pile Driving Equipment GmbH.

Kleinewefersstraße 1, 47803, Krefeld - Deutschland

+49 2151 442 61 61

+49 2151 442 61 60

oms@omsvibro.de



omsvibro

www.omsvibro.com