



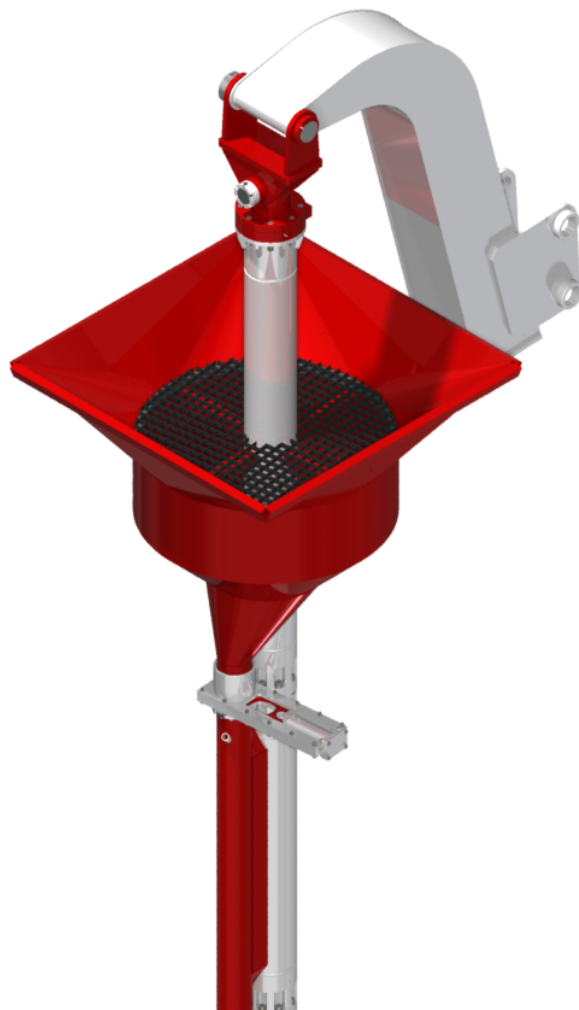
Pile Driving Equipment

www.omsvibro.com

OVF SERIES

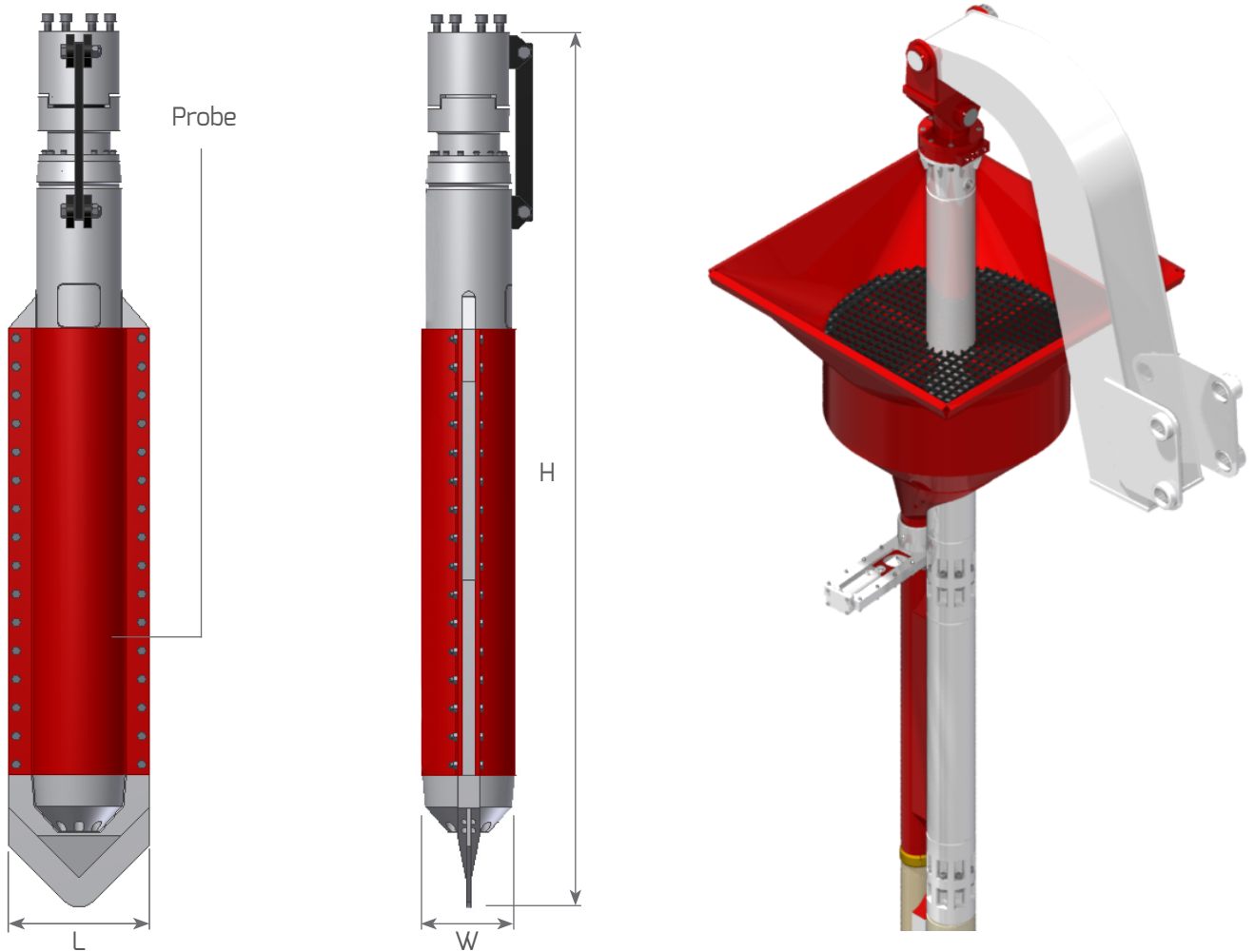
OVF 300 - 2

Excavator Mounted Bottom Feed Vibroflotation



When a vibroflotation machine is driven into loose ground, it creates a hole. Gravel particles of a certain size are then fed into the hole. This increases the supporting strength of soft and loose grounds and reduces liquefaction risk.

Technical Specifications



Technical Specifications

300-2

Unit	Metric	US
Eccentric Moment (kgm) (in.lbs)	2	173.6
Frequency (rpm)	3000/50	3000/50
Centrifugal Force (kN) (tons)	199	22.4
Oil Flow (lpm) (gpm)	180	47.6
Power (kW) (hP)	105	141

Weight and Dimensions

Unit	Metric	US
Weight(kg) (lbs)	2050	4519
Height (H) (mm) (in)	2940	115.8
Width (W) (mm) (in)	348	13.7
Length (L)	560	22.1

Power Pack

PP 218

Output (kW/hP)	160/218
----------------	---------

* Technical specifications are calculated on maximum pressure and oilflow base. Required flow and pressure can be set according to the needs.



www.omsvibro.com



OMS Pile Driving Equipment GmbH.

Kleinewefersstraße 1, 47803, Krefeld - Deutschland

+49 2151 442 61 61

+49 2151 442 61 60

oms@omsvibro.de



omsvibro