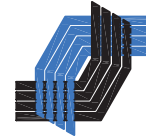


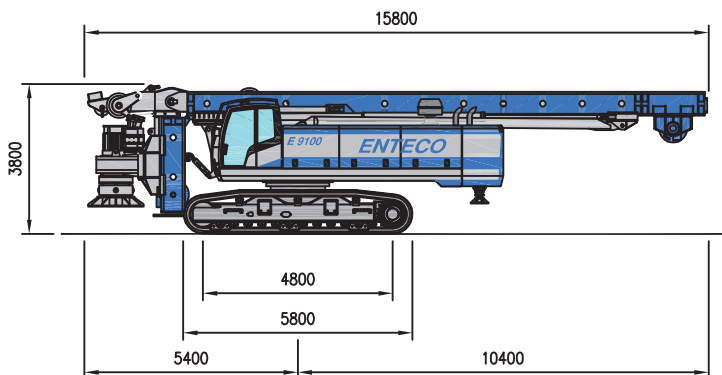
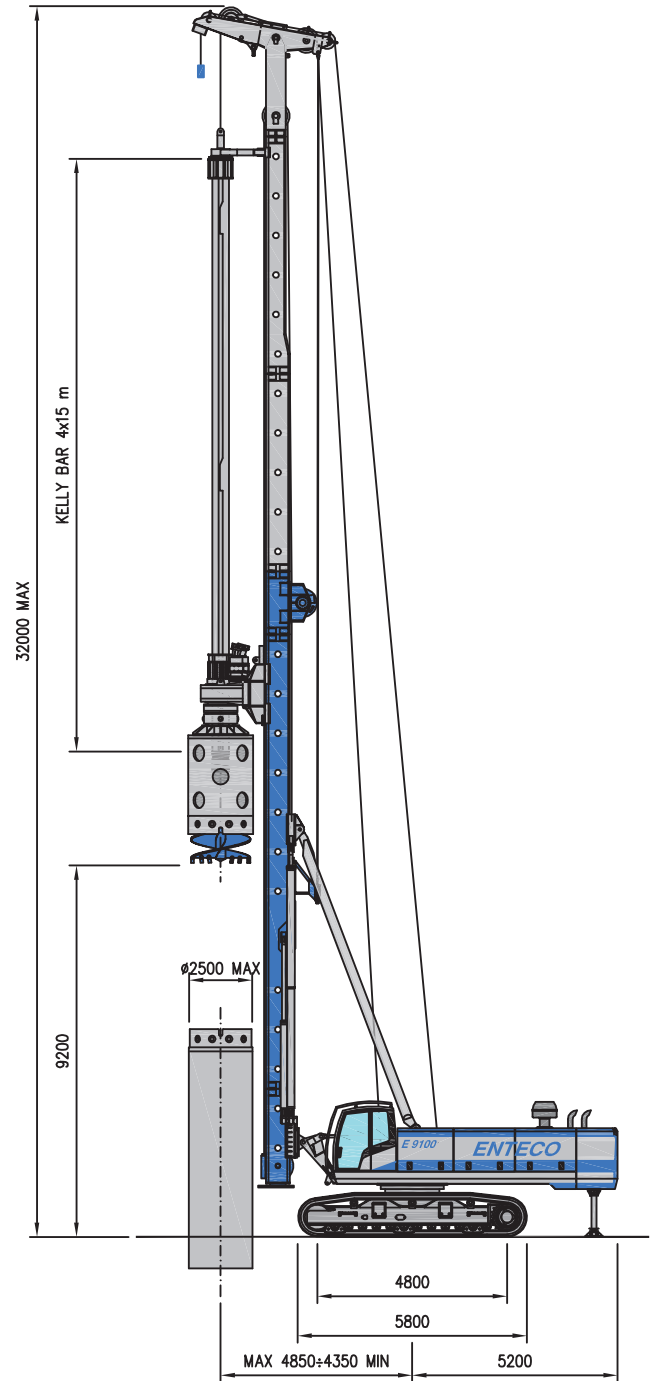
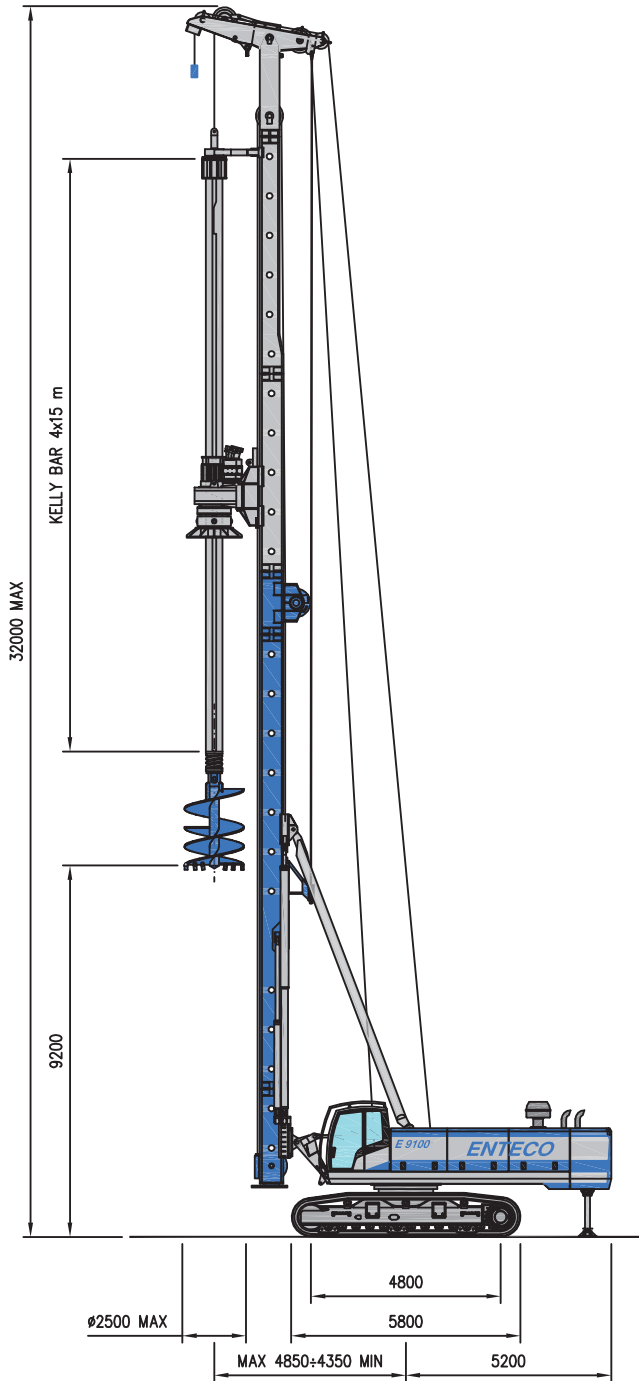
# E 9100

R400

B O R E D P I L E S K I T



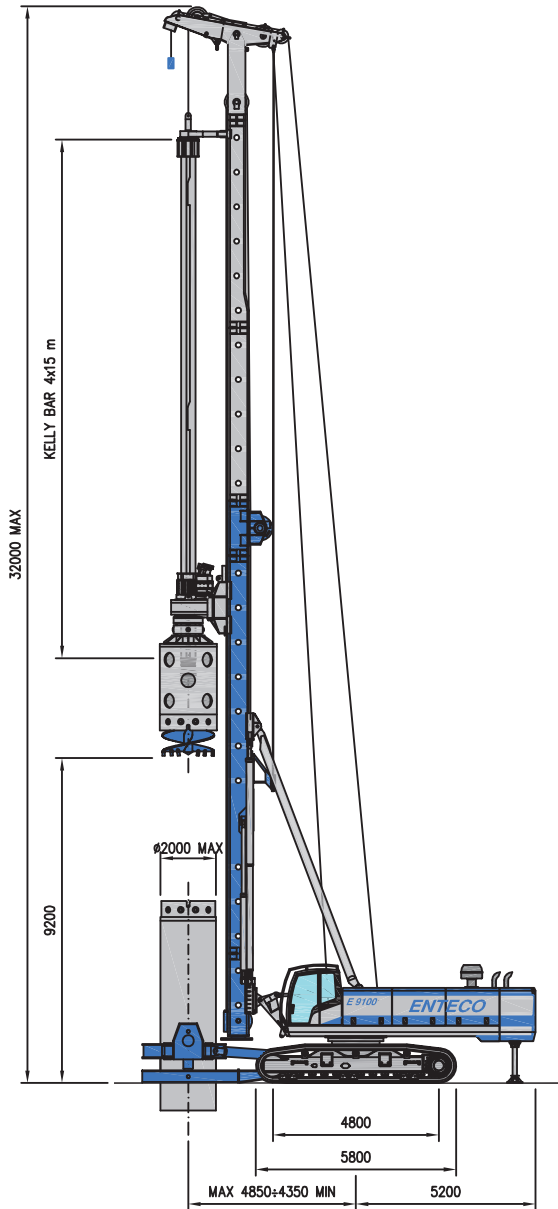
**ENTECO**  
EXPERIENCE AND INNOVATION



# E 9100

## R400

B O R E D P I L E S K I T



CASING OSCILLATOR		OCB 1500	OCB 2000
Casing max diameter	mm	1500	2000
Lifting force	kN	2010	3140
Clamping force	kN	1260	2210
Torque	kNm	2200	4580
Weight	kg	10500	18500

### E 9100 - R400 BORED PILES KIT

OPERATING WEIGHT	ton	up to 115
Drilling diameter	mm	700÷2500
Max drilling depth	m	90

#### MAST

Mast vertical travel	mm	2000
Front/Rear inclination		+4°/-15°
Side inclination		±3°

#### CROWD SYSTEM

		WINCH	CYLINDER
Rotary stroke	mm	24000	6000
Crowd force	kN	400	400
Extraction force	kN	400	300

#### ROTARY

Model		ENTECO RH61/3	
Max torque	kNm	400	
Max drilling speed	rpm	33	
Spin-off speed	rpm	160	

#### INTERLOCKING KELLY-BAR

Type - elements/length		4x9 m	4x12 m	4x15 m	4x19 m
Max depth	m	32	44	56	72
Weight	kg	6400	8100	9800	12600

#### FRICTION KELLY-BAR

Type - elements/length		5x9 m	5x12 m	5x15 m	5x19 m
Max depth	m	40	55	70	90
Weight	kg	7400	9300	11600	14500

### E 9100 - BASE MACHINE

#### CRAWLERS

Overall width	mm	3000÷4500
Track pads	mm	900
Tramming speed	km/h	1.8

#### DIESEL ENGINE

Model	CATERPILLAR	C15 ACERT	C18 ACERT
Rated power	HP/kW	540/403	700/522
Fuel tank capacity	litres	800	

#### MAIN WINCH

Max line-pull 1st layer	kN	330
Free-fall device		option

#### AUXILIARY WINCH

Max line-pull 1st layer	kN	150
Free-fall device		option

