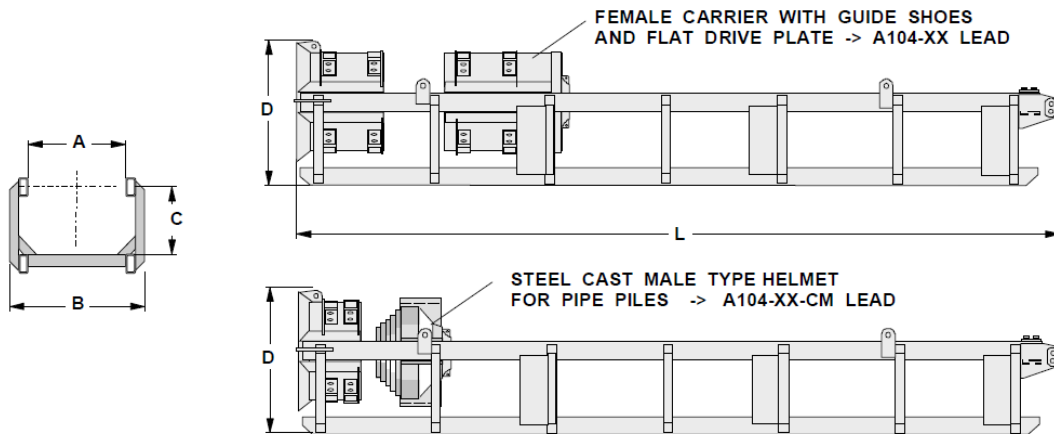
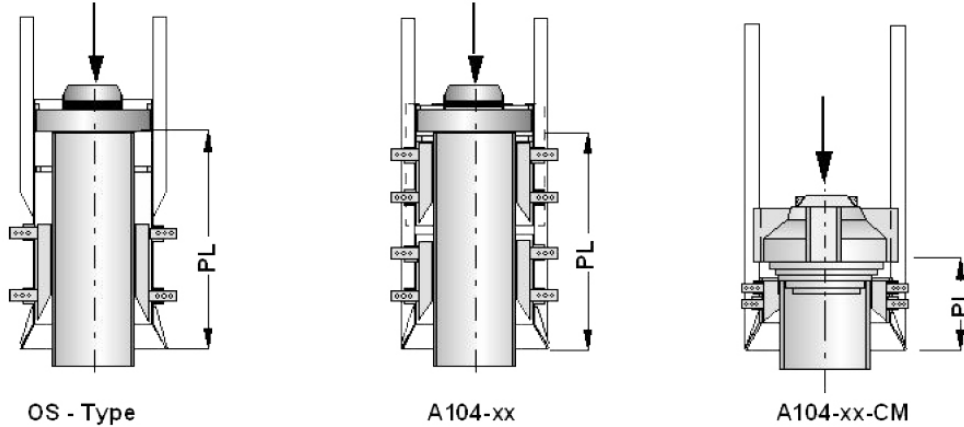
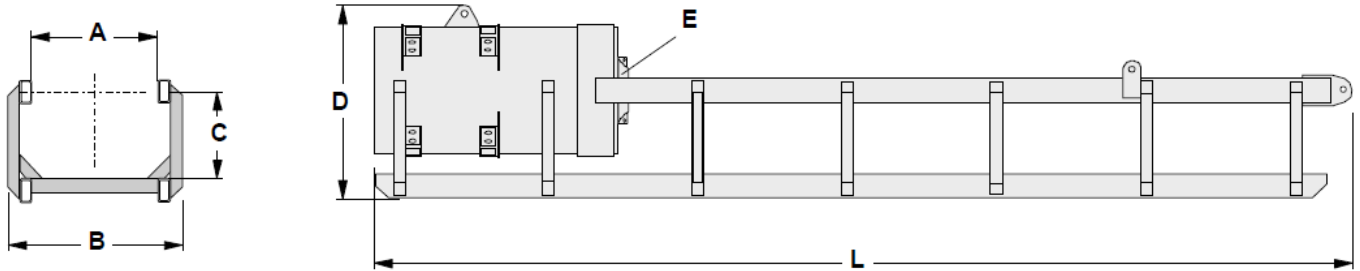


The BAUER-Pileco Caisson Type Leads were developed during the last years to achieve longer lifetime, higher driving efficiency of pipe piles and longer lifetime of the equipment. the cast mal type helmet enables driving the piles closer to the ground, minimizing PL.



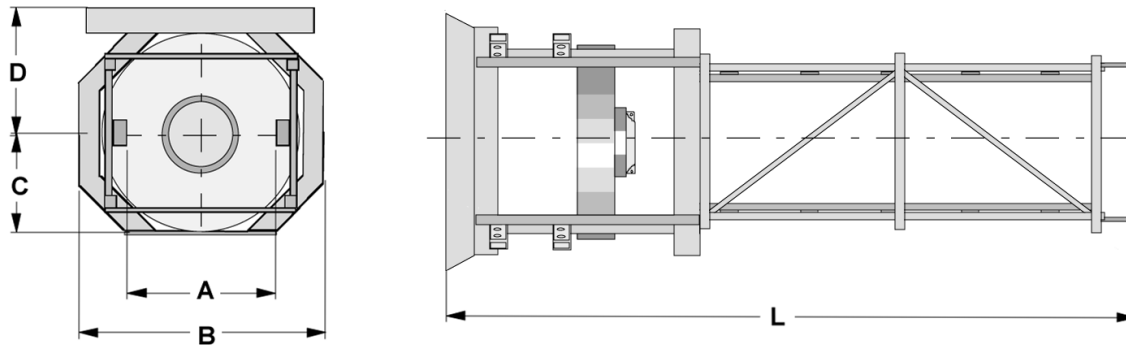
| LEAD Type | A | B | C | D | L | E (cushion) | max. size | | app. weight |
|-----------------------|-------|-------|-------|-------|-------|----------------|-----------|-----------|-------------|
| | | | | | | | Pile Ø | Diesel H. | |
| A104-36 | 42.5" | 58.5" | 29" | 62.5" | 27.2' | 23" | 36" | D62-22 | 12,000 |
| A104-36-CM | 42.5" | 58.5" | 29" | 62.5" | 27.2' | 23" | 36" | D62-22 | 15,000 |
| A104-42 | 48.5" | 66.5" | 37" | 72" | 36' | 27" | 42" | D138-32 | 18,400 |
| A104-42-CM | 48.5" | 66.5" | 37" | 72" | 36' | 27" | 42" | D138-32 | 28,000 |
| A104-48 | 54.5" | 72.5" | 37" | 75" | 36' | 27" | 48" | D180-32 | 22,500 |
| A104-48-CM | 54.5" | 72.5" | 37" | 75" | 36' | 27" | 48" | D180-32 | 26,500 |
| A104-60 | 66.5" | 84.5" | 38.5" | 84" | 40' | 27" | 60" | D180-32 | 26,500 |
| A104-60-CM | 66.5" | 84.5" | 38.5" | 85" | 40' | 27" | 66" | D180-32 | 40,300 |
| OS 200-60 (D200-lead) | 68.5" | 60" | 46.5" | 97" | 41' | 37" | 60" | D200-42 | 65,000 |

BAUER-Pileco developed and introduced this system over 30 years ago. Through constant improvements our Caisson Type Leads today are the most economical and efficient tools for installation of large diameter piling.



| LEAD Type | A | B | C | D | E | L | max. size | | app. weight |
|-----------|-------|-----|-----|-----|-----|-------|-----------|-----------|-------------|
| | | | | | | | Pile Ø | Diesel H. | |
| OS 20-02 | 21.5" | 36" | 22" | 47" | 17" | 24.6' | 24" | D19-42 | 4,920 |
| OS 40-02 | 32.5" | 36" | 21" | 53" | 23" | 23.9' | 36" | D30-32 | 8,400 |

The BAUER-Pileco lead frames are designed for driving cylinder piles larger than 60" diameter. The lead frames are designed in a way to enable driving a pile as close as possible in front of a wall or of a bridge.



| Lead frame size max. diam. | A (guiding rails) | B | C | D | L | Pile sizes with guide shoes | max. size Diesel H. | app. weight of lead frame with drive plate |
|----------------------------|---------------------------|--------------|-------------|-------------|--------------|-----------------------------|---------------------|--|
| 98" | 54.5" x 8" 68.5" x 12" | 123" | 50.3" | 61.5" | 36.7" | 96", 84", 72", 66" | D200-42 | 61,400 |
| 120" | 54.5" x 8" 68.5" x 12" | app. 145" | app. 62" | app. 60" | app. 145" | 108", 96", 84", 72" | D200-42 | n.a. |